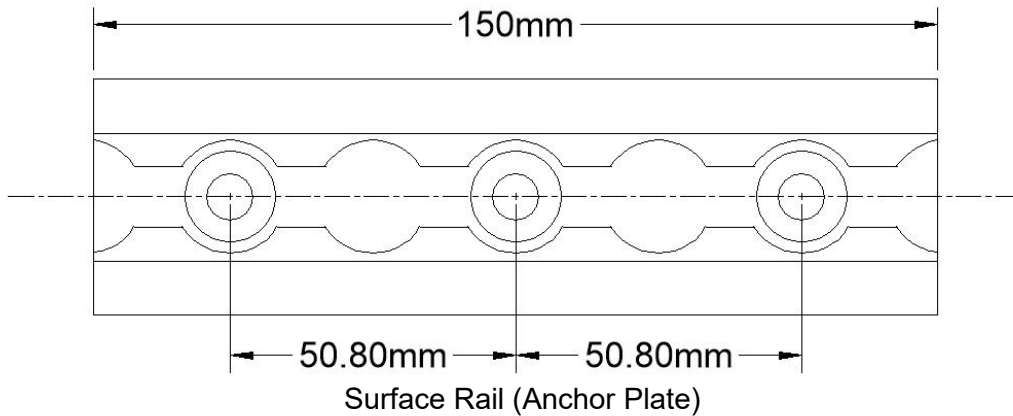


ANCHOR PLATE INSTALLATION INSTRUCTIONS

These instructions cover the fitting of Anchor Plates. Each “anchor” consists of the following parts that need to be fitted to the vehicle floor:

Surface Rail 150mm x 1, Underfloor Spreader Plate x 1, M8 x 45 C’S’K Screws x 3, M8 Nyloc Nut x 3, M8 Washer x 3, End Cap x 2



Spreader Plate



End Cap

Fitting - general

All of the fixing holes in the Anchor Plates must be used. Before fitting, ensure that when the Anchor Plates are in the intended position, drilling through at the 3 hole positions does not interfere with any part under the vehicle floor, with enough room to fit the Spreader Plates.

Important

After drilling holes through the vehicle floor, any sealing around the holes as recommended by the vehicle manufacturer must be carried out.

KOLLER

ANCHOR PLATE INSTALLATION INSTRUCTIONS

Fitting

- 1) Place the Surface Rail (Anchor Plate) in the intended position and place a mark on the floor in the centre of each of the 3 fixing holes
- 2) Remove the Surface Rail and drill diameter 10mm holes through the floor at each of the 3 positions
- 3) Deburr any rough edges around the holes and seal
- 4) Putting the Surface Rail back in position, insert M8 x 45 C'S'K screws through each hole in the top of the Surface Rail and through the floor
- 5) From under the vehicle, offer up the Spreader Plate (ensuring the flat surface with rounded edges sits against the underside of the floor) so that each screw goes through the corresponding hole in the Spreader Plate
- 6) Place a Washer over each Screw and secure tightly in place with a Nyloc Nut
- 7) Place an End Cap at each end of the Surface Rail and secure with an M4 self-tapping screw

Repeat 1) to 7) for each anchor position required

